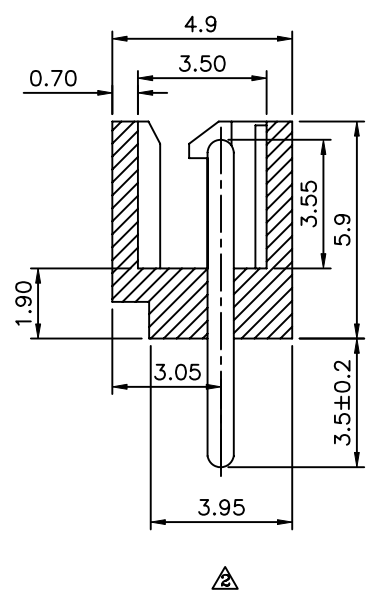
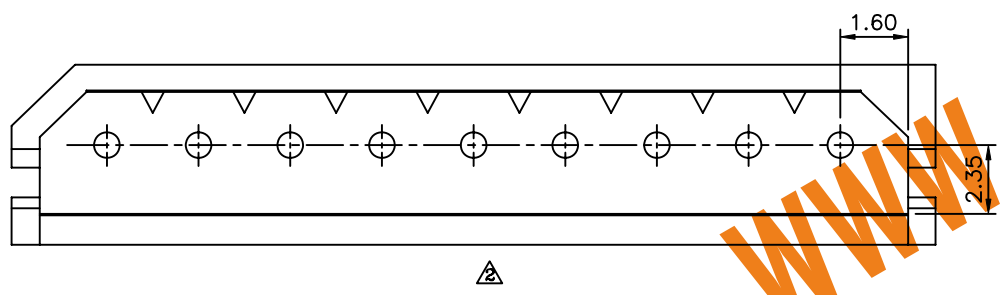


Recommended P.C.B. Layout

SPECIFICATION
 Current Rating: 3A AC/DC
 Voltage Rating: 250V AC/DC
 Withstand Voltage: 1000V AC/Minute
 Insulation Resistance: 1000 Megaohms Min.
 Contact: Brass, Tin Plated
 Base: PA66(UL94V-2), Natural
 RoHS Compliant



Pin	A	B
2	2.50	7.50
3	5.00	10.00
4	7.50	12.50
5	10.00	15.00
6	12.50	17.50
7	15.00	20.00
8	17.50	22.50
9	20.00	25.00
10	22.50	27.50
11	25.00	30.00
12	27.50	32.50
13	30.00	35.00
14	32.50	37.50
15	35.00	40.00
16	37.50	42.50
17	40.00	45.00
18	42.50	47.50

AsA Electronic
 WWW.AsA-Elec.com
 AsA Electronic Co.
 Tel : (+98) 21 66 73 56 82 Mob : (+98) 912 03 161 02

DRAWING No.		APPROVED BY		UNLESS OTHERWISE SPECIFIED TOLERANCES ARE .X ±0.50 .XX ±0.25 .XXX ±0.10 ANG. ±2°
01677		MEI		
		CHECKED BY		
		HZF		
		DRAWING BY		UNIT mm
		WZL		
SCALE	NONE	REV.	A2	NO. REV.

NO. REV.	REVISIONS	CHK	DATE
A2	Modify Data	HZF	11/22/2010
A1	Add P/N Code & Color	HZF	11/11/2010
A0	NEW RELEASE	HZF	11/07/2009